

# Partaker C1



## Features:

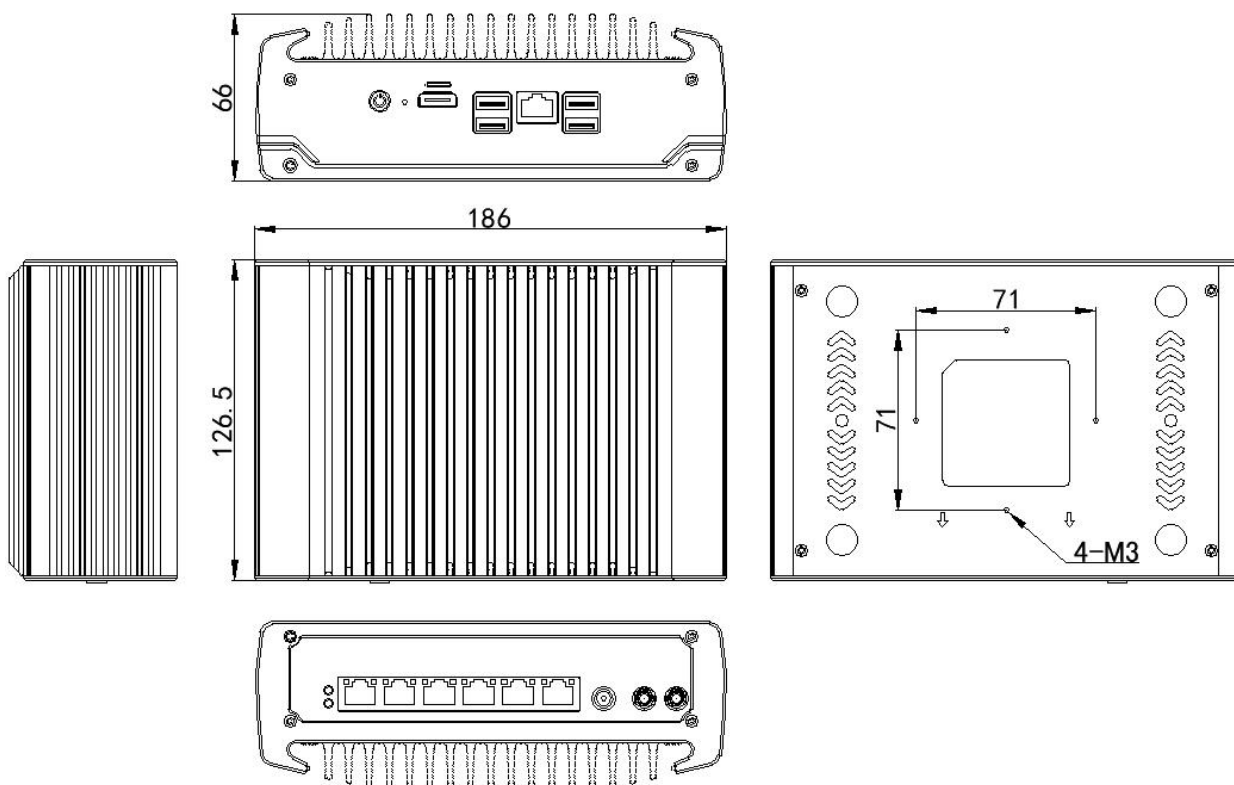
- ◇ All aluminum structure, Fanless design;
- ◇ Onboard Intel 8<sup>th</sup> Generation Core i5/i7;
- ◇ Support 2\*DDR4 RAM Slot, Max Support 32G;
- ◇ Support 1\* MSATA, 1\*2.5”SATA;
- ◇ Support 6\* Intel 1000 M Lan;
- ◇ Support 1\* RJ45 COM (Support Console) ;
- ◇ Applied O/S:



## Specification

Model	Partaker C1
Color	Black (Color can be customized)
Material	High-quality all aluminum, Surface anodic oxidation
Processor	Onboard Intel Celeron 3867U (Dual core, dual threads, 1.8G, 2MB Cache) ; Onboard Intel Core i5 8250U (quad core,8 threads,1.6G, Max.Turbo 3.4G,6MB Cache) ; Onboard Intel Core i7 8550U (quad core,8 threads, 1.8G, Max.Turbo 4.0G,8MB Cache)
RAM	Support 2* DDR4 2133/2400 MHz SODIMM RAM slot, Max. 32 GB
Display Chip	Integrated Intel UHD Graphics 620
Display Port	1* HDMI
Front I/O	4*USB3.0, 1*Power Switch, 1*RJ45 COM (Support Console) ,1* HDMI
Rear I/O	6*RJ45 1000M Lan, 1*DC
Expansion	Support 1* half height MINI PCIE slot (WIFI/BT Optional) Support 1* Full height MINI PCIE slot(Suooport MSATA/4G, 1* Nano-SIM slot on the plate)
Network	6*Intel i211-AT 10/100/1000M LAN
Storage	1*MSATA slot, 1*2.5” HDD
Input Voltage	Support DC 12V Input
Other Function	Auto power on when there is electricity、Timing boot、Wake on LAN、PXE boot、Watchdog (0~255 level)
Work Temp	0℃ ~ +50℃ (Commercial HDD) , -20℃ ~ +50℃ ( (Industrial SSD) , Surface air flow
Work Humidity	0% ~ 95% non-condensing
Certificates	CE、 CCC、 FCC Class A、 ROHS
Dimension	186 * 126.5 * 66 mm
Net Weight	1.3 kg
Application	Firewall, VPN, Network server, Network security, Router etc.

# Partaker C1



## Accessory

Name	Quantity	Specification
Power Adapter	1	i5-8250U/12V 5A i7-8550U/12V 7.5A
Power Cord	1	Any Plug Optional (China, US, EU, UK etc.)
Certificate of Approval	1	Neutral
Warranty Card	1	Neutral
VESA Bracket	1	Standard

## Order Information

Configuration	Processor	Port
Configuration 1	Intel Celeron 3867U	Standard Port
Configuration 2	Intel Core i5 8250U	Standard Port
Configuration 3	Intel Core i7 8550U	Standard Port