

Partaker F3

Intel® Celeron Processor

1U Standard Soft Routing Barebone System



Product Features

- Intel Celeron J4125/2.0GHz 4 cores 4 threads
- 1*SODIMM DDR4 2400MHz Memory, up to 8GB
- 1*VGA interface display output
- 4*Intel I211/I210 Gigabit LAN, Wake-on-LAN/PXE
- 1*CISCO standard RJ45 serial port
- 2*USB2.0
- 1U standard chassis, high-quality galvanized steel

Spec

Model	F3 (J4125)	
Chassis	Material/Structure	1U standard chassis, high-quality galvanized steel
	Color	Asian silver black
	Size	430mm*250mm*46mm
	Weight	3.0KG
	Installation	1U standard rack
Motherboard	CPU	Integrated Intel®Celeron J4125/2.0GHz quad-core four-thread processor, TDP 10W
	Graphic	Integrated Intel® UHD Graphics 600 core graphics card
	Memory	1* SODIMM slot, support single channel 2400MHz DDR4 memory, maximum support 8GB
Front Panel	POWER	1*power switch
	LAN	4*Intel I211/I210 Gigabit LAN, support Wake-on-LAN/PXE function
	COM	1*CISCO standard RJ45 serial port
	USB	2*USB2.0 interface
	LED	1*power indicator light, 1*hard disk indicator light
Rear Panel	Display Port	1*VGA interface
	Power	1*AC power port
Storage	SATA	1*2.5 inch hard disk or 1*3.5 inch hard disk
	SSD	1*MSATA, Transmission speed up to 3Gbps
Expand	Mini PCIE	1*Mini-PCIE slot, support WIFI, 4G module, the default is 4G Note: WiFi and LAN4 share the PCIE channel, choose one of the two, and the default is LAN4
System	Microsoft Windows	Windows 7 / 10
	Linux	Ubuntu
	Watch Dog	Support hardware reset function (256 levels, 0~255 seconds)
Power Requirements	Power type	External open power supply
	Voltage input	AC 110~220V
	Power output	AC TO DC, 60W
Environment	Operating temp	-10°C ~ 50°C
	Storage temp	-20°C ~ 70°C
	Relative humidity	5%-95% relative humidity, non-condensing
	Work vibration	0.5g rms/5-500HZ/random/operating

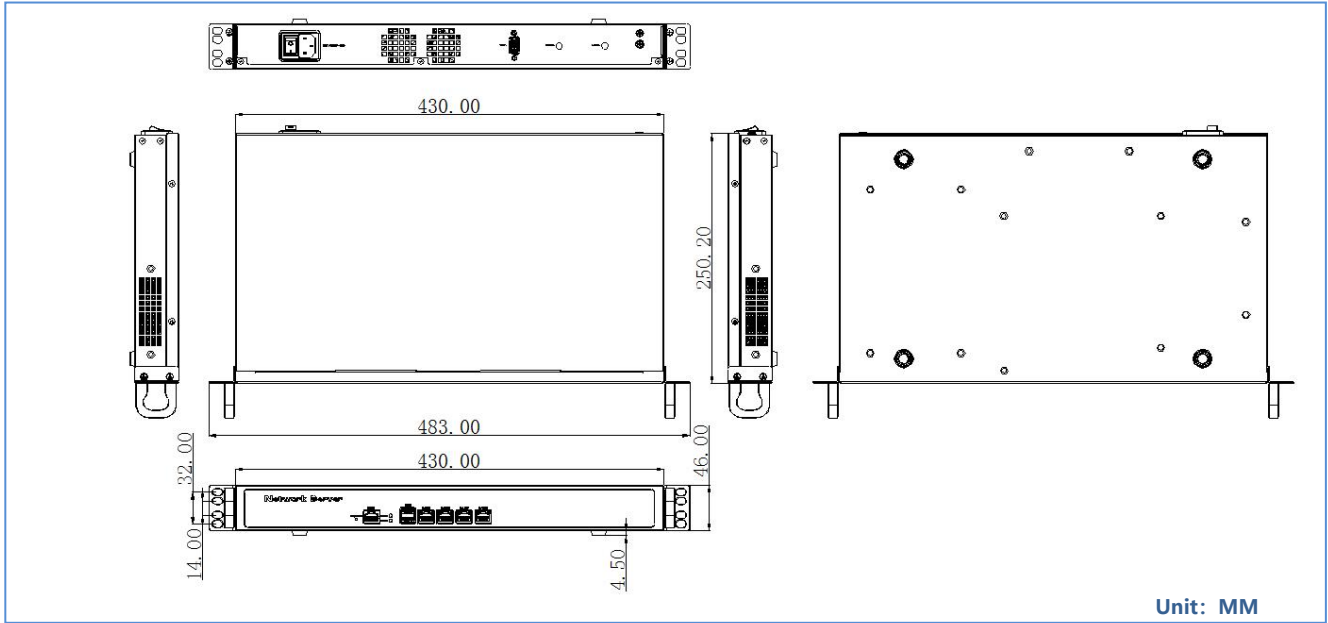


Soft Routing Barebone System

www.inctelpc.com

All product specifications are subject to change without notice

F3 Dimension Drawing



Ordering Information

No.	Model	CPU	Memory	Motherboard	LAN	COM	VGA	USB2.0	power
1	F3(J4125)	J4125 /2.0GHz	1*SODDDR4	M41E	4	1	1	2	1U standard power supply

